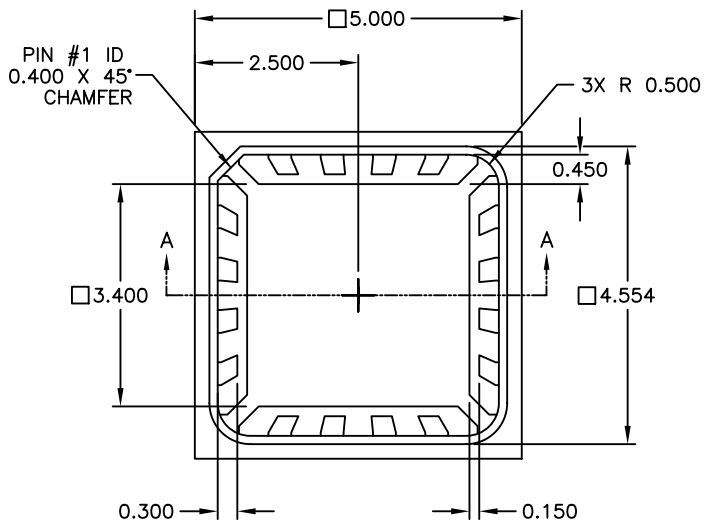


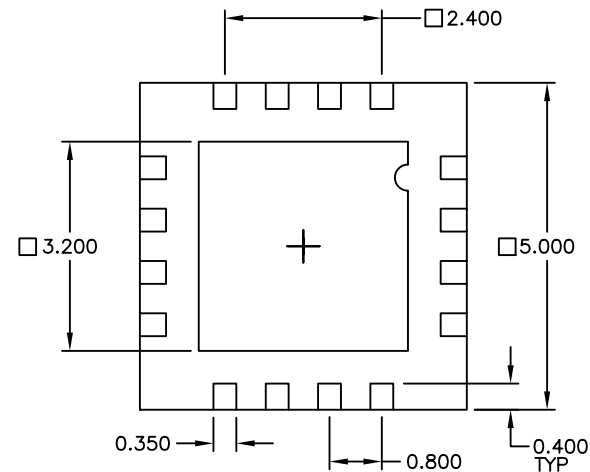
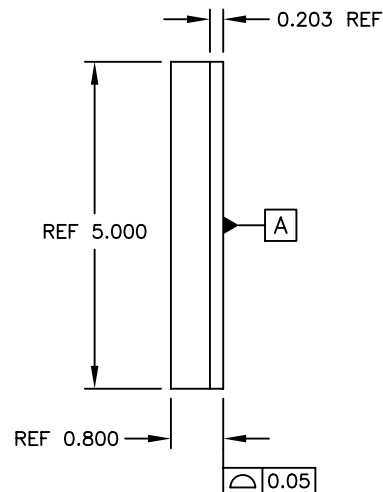
2

1

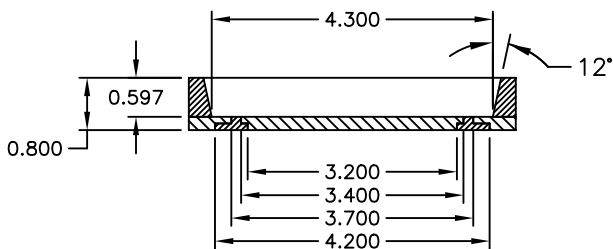
REVISIONS			
ECN NO.	DATE	DESCRIPTION	APPROVED
		PRODUCTION RELEASE	



TOP VIEW



BOTTOM VIEW



SECTION A-A

NOTES

- MATERIALS:  
LEAD FRAME: COPPER 194FH, THK = 0.203±0.008  
BODY: SEMICONDUCTOR MOLDING EPOXY, CONTACT QUIK-PAK FOR DETAILS.
- FINISH:  
LEAD FRAME: ELECTROLESS NICKEL PER MIL-C-26074, CLASS 1, 100 TO 300 MICROINCHES (2.5um - 7.6um) THICK.  
GOLD PLATE PER MIL-G-45204, TYPE 3, GRADE A, CLASS 1 (40 TO 80 MICROINCHES (1um - 2um) THICK).  
BODY SURFACE FINISH: VDI 21-24 (1.12-1.6 Ra).
- PACKAGE MISMATCH: BODY OFFSET TO LEAD FRAME = 0.076mm MAX
- UNLESS OTHERWISE SPECIFIED, RADIUS ON ALL MOLDED EDGES AND CORNERS = 0.25mm MAX.
- PACKAGE CONFORMS TO JEDEC MO-220.

C

C

A

A

2

1

<p>THIRD ANGLE PROJECTION</p> <p>UNLESS OTHERWISE SPECIFIED DIMENSIONS ARE IN MILLIMETER TOLERANCES ARE: X.XX ± 0.15 X.XXXX ± --- X.XXX ± 0.050 ANGLES: ± 1°</p> <p>DO NOT SCALE DRAWING</p>	<p>DRAWN BY CAD DEPT. DATE 4/28/10</p> <p>APP BY STEVE S. DATE 4/28/10</p> <p>CUSTOMER ---</p>
	<p>THIS DOCUMENT CONTAINS INFORMATION PROPRIETARY TO QUIK-PAK, AND REPRODUCTION IN ANY FORM IS NOT PERMITTED WITHOUT WRITTEN AUTHORIZATION FROM QUIK-PAK, DIV OF DELPHON IND.</p>

<p><b>QUIK-PAK</b> www.icproto.com 10987 VIA FRONTERA SAN DIEGO, CA. 92127 PHONE: (858) 674-4676 FAX: (858) 674-4681</p>		
<p>5mm X 5mm QFN 16 LEAD OmPP</p>		
<p>SIZE A</p>	<p>PART NO. QP-QFN16-5MM-.8MM</p>	<p>REV A1</p>
<p>SCALE NONE</p>	<p>CAD FILE</p>	<p>SHEET 1 OF 1</p>