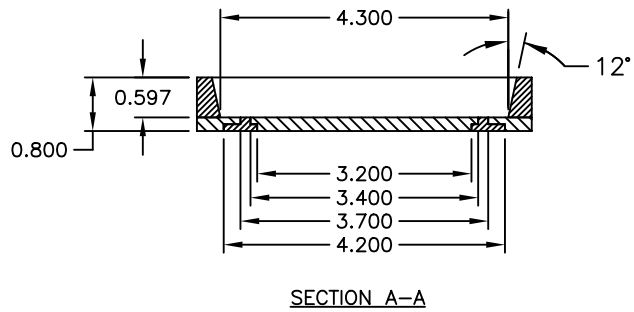
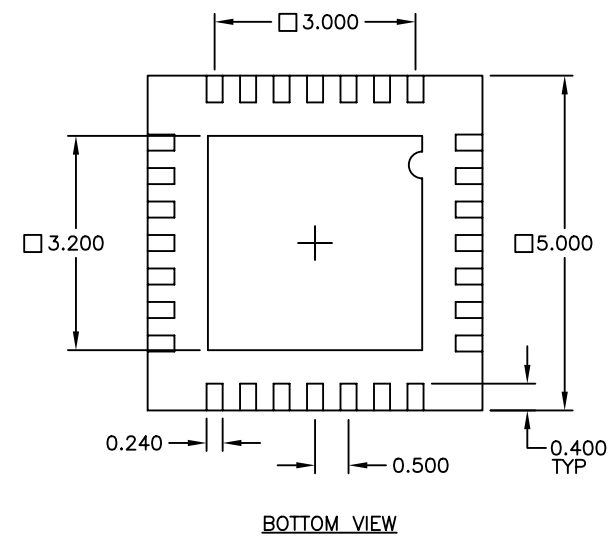
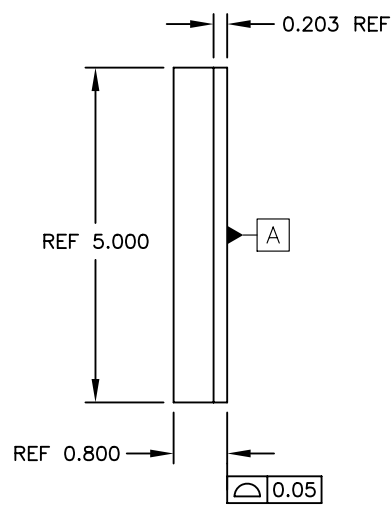
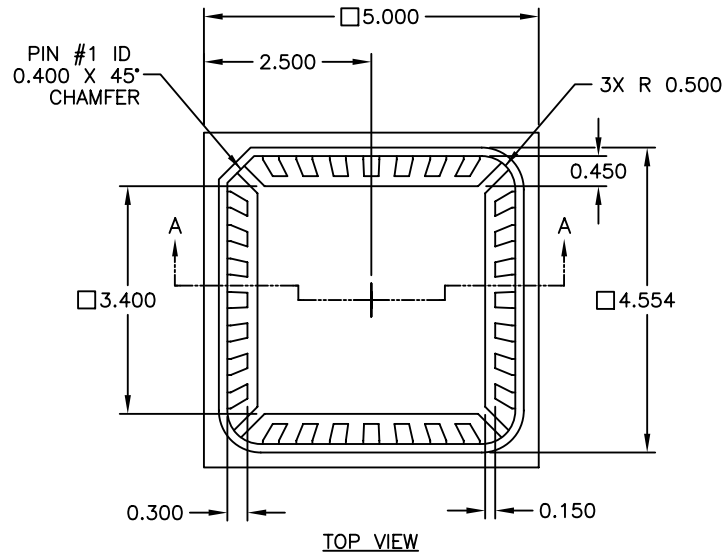


2

1

REVISIONS			
ECN NO.	DATE	DESCRIPTION	APPROVED
		PRODUCTION RELEASE	



NOTES

- MATERIALS:**
LEAD FRAME: COPPER 194FH, THK = 0.203±0.008
BODY: SEMICONDUCTOR MOLDING EPOXY, CONTACT QUIK-PAK FOR DETAILS.
- FINISH:**
LEAD FRAME: ELECTROLESS NICKEL PER MIL-C-26074, CLASS 1, 100 TO 300 MICROINCHES (2.5um - 7.6um) THICK.
GOLD PLATE PER MIL-G-45204, TYPE 3, GRADE A, CLASS 1 (40 TO 80 MICROINCHES (1um - 2um) THICK).
BODY SURFACE FINISH: VDI 21-24 (1.12-1.6 Ra).
- PACKAGE MISMATCH:** BODY OFFSET TO LEAD FRAME = 0.076mm MAX
- UNLESS OTHERWISE SPECIFIED, RADIUS ON ALL MOLDED EDGES AND CORNERS = 0.25mm MAX.**
- PACKAGE CONFORMS TO JEDEC MO-220.**

<p>THIRD ANGLE PROJECTION</p> <p>UNLESS OTHERWISE SPECIFIED DIMENSIONS ARE IN MILLIMETER TOLERANCES ARE: X.XX ± 0.15 X.XXXX ± --- X.XXX ± 0.050 ANGLES: ± 1°</p> <p>DO NOT SCALE DRAWING</p>	DRAWN BY: CAD DEPT. DATE: 4/22/10
	APP BY: STEVE S. DATE: 4/22/10
CUSTOMER: ---	
THIS DOCUMENT CONTAINS INFORMATION PROPRIETARY TO QUIK-PAK, AND REPRODUCTION IN ANY FORM IS NOT PERMITTED WITHOUT WRITTEN AUTHORIZATION FROM QUIK-PAK, DIV OF DELPHON IND.	

QUIK-PAK
 www.icproto.com
 10987 VIA FRONTERA
 SAN DIEGO, CA. 92127
 PHONE: (858) 674-4676 FAX: (858) 674-4681

5mm X 5mm QFN 28 LEAD 0mPP		
SIZE: A	PART NO.: QP-QFN28-5MM-.5MM	REV: A1
SCALE: NONE	CAD FILE	SHEET 1 OF 1

2

1