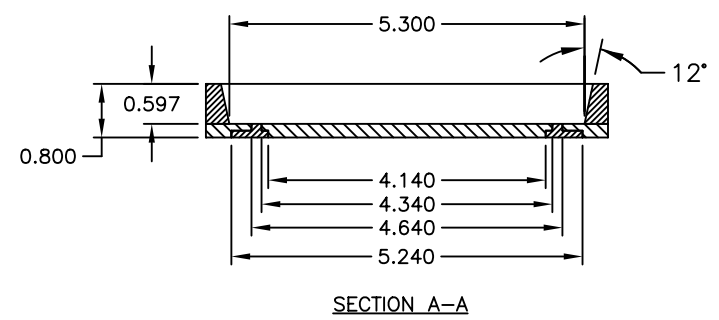
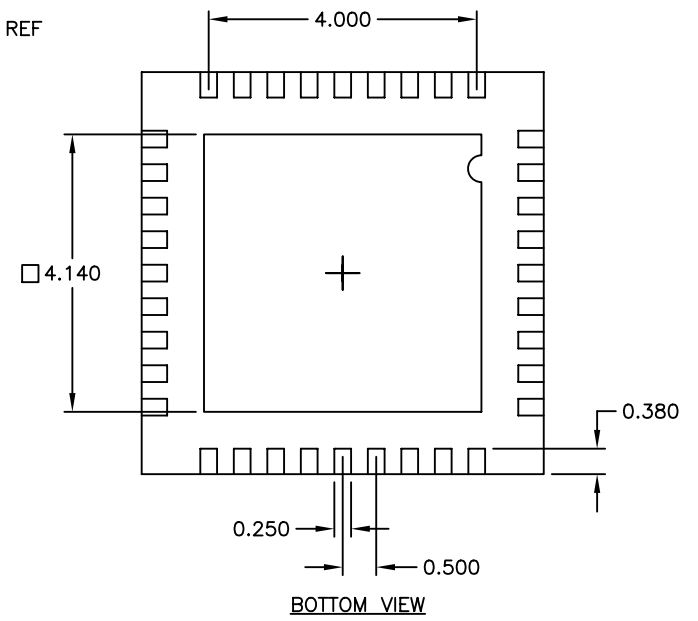
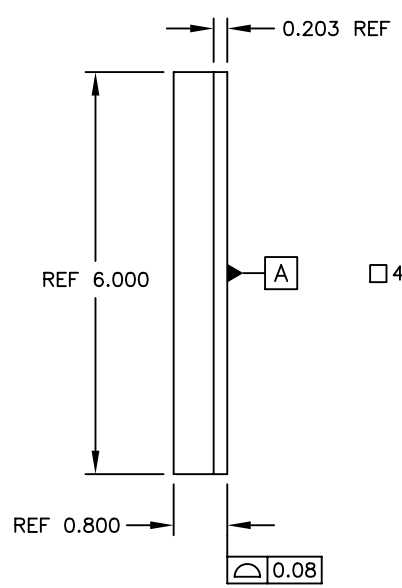
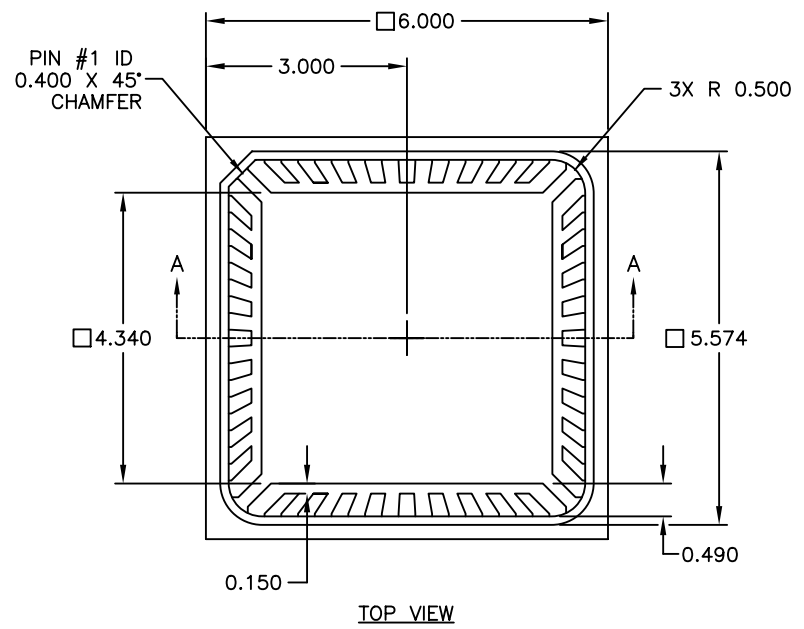


2

1

REVISIONS			
ECN NO.	DATE	DESCRIPTION	APPROVED
		PRODUCTION RELEASE	



THIRD ANGLE PROJECTION

UNLESS OTHERWISE SPECIFIED  
DIMENSIONS ARE IN **MILLIMETER**  
TOLERANCES ARE:  
X.XX ± 0.15 X.XXXX ± ---  
X.XXX ± 0.050 ANGLES: ± 1°

**DO NOT SCALE DRAWING**

DRAWN BY	CAD DEPT.	DATE	4/29/10
APP BY	STEVE S.	DATE	4/29/10
CUSTOMER	---		
THIS DOCUMENT CONTAINS INFORMATION PROPRIETARY TO QUIK-PAK, AND REPRODUCTION IN ANY FORM IS NOT PERMITTED WITHOUT WRITTEN AUTHORIZATION FROM QUIK-PAK, DIV OF DELPHON IND.			

**QUIK-PAK**  
www.icproto.com  
10987 VIA FRONTERA  
SAN DIEGO, CA. 92127  
PHONE: (858) 674-4676 FAX: (858) 674-4681

6mm X 6mm  
QFN 36 LEAD 0mPP

SIZE	PART NO.	REV
A	QP-QFN36-6MM-.5MM	A1
SCALE	NONE	CAD FILE
		SHEET 1 OF 1

2

1