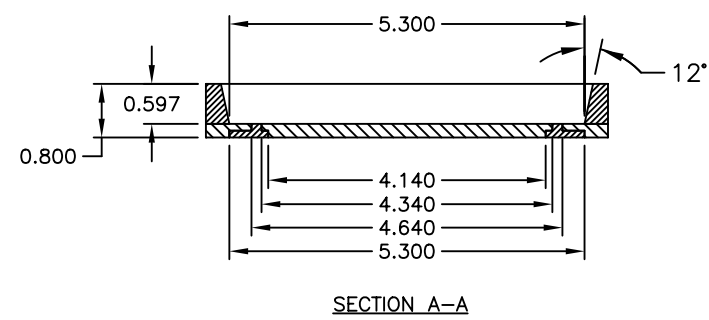
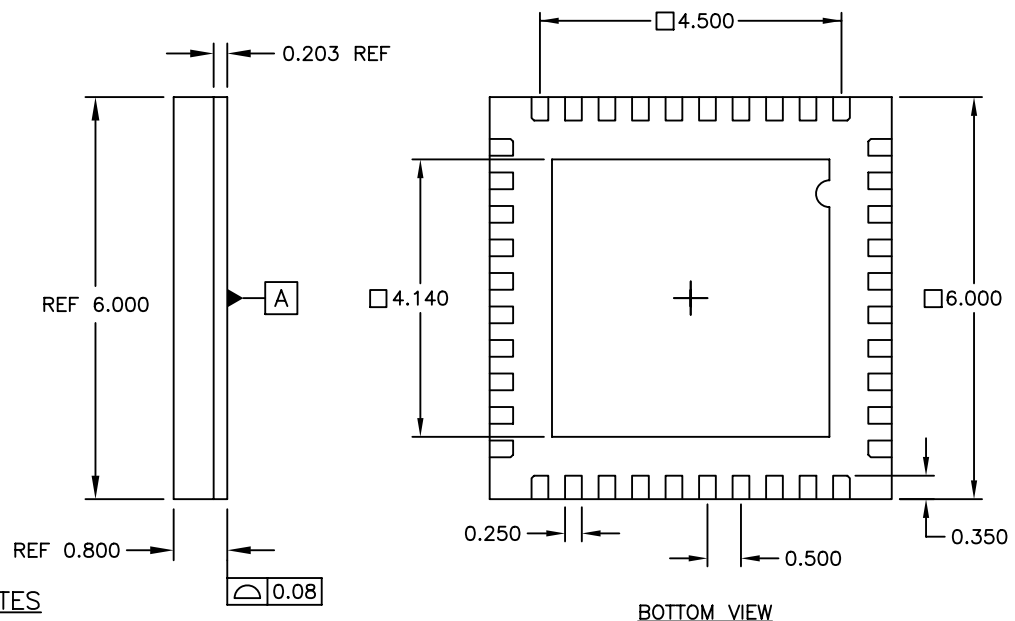
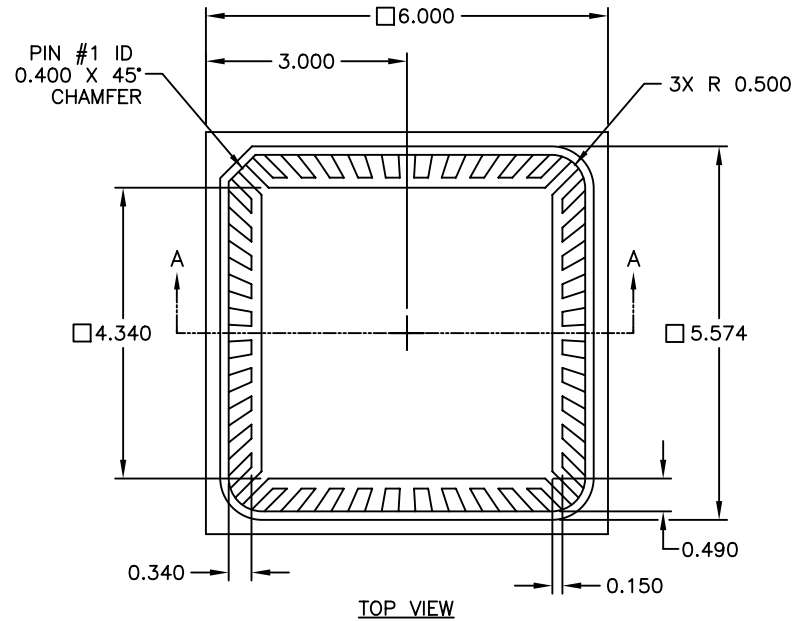


| REVISIONS | | | |
|-----------|------|--------------------|----------|
| ECN NO. | DATE | DESCRIPTION | APPROVED |
| | | PRODUCTION RELEASE | |



NOTES

- MATERIALS:**
LEAD FRAME: COPPER 194FH, THK = 0.203±0.008
BODY: SEMICONDUCTOR MOLDING EPOXY, CONTACT QUIK-PAK FOR DETAILS.
- FINISH:**
LEAD FRAME: ELECTROLESS NICKEL PER MIL-C-26074, CLASS 1, 100 TO 300 MICROINCHES (2.5um - 7.6um) THICK.
GOLD PLATE PER MIL-G-45204, TYPE 3, GRADE A, CLASS 1 (40 TO 80 MICROINCHES (1um - 2um) THICK).
BODY SURFACE FINISH: VDI 21-24 (1.12-1.6 Ra).
- PACKAGE MISMATCH:** BODY OFFSET TO LEAD FRAME = 0.076mm MAX
- UNLESS OTHERWISE SPECIFIED, RADIUS ON ALL MOLDED EDGES AND CORNERS = 0.25mm MAX.**
- PACKAGE CONFORMS TO JEDEC MO-220.**

THIRD ANGLE PROJECTION

UNLESS OTHERWISE SPECIFIED DIMENSIONS ARE IN MILLIMETER TOLERANCES ARE:
 X.XX ± 0.15 X.XXXX ± ---
 X.XXX ± 0.050 ANGLES: ± 1°

DO NOT SCALE DRAWING

| | | | |
|--|-----------|------|---------|
| DRAWN BY | CAD DEPT. | DATE | 3/30/10 |
| APP BY | STEVE S. | DATE | 3/30/10 |
| CUSTOMER | --- | | |
| THIS DOCUMENT CONTAINS INFORMATION PROPRIETARY TO QUIK-PAK, AND REPRODUCTION IN ANY FORM IS NOT PERMITTED WITHOUT WRITTEN AUTHORIZATION FROM QUIK-PAK, DIV OF DELPHON IND. | | | |

QUIK-PAK
 www.icproto.com
 10987 VIA FRONTERA
 SAN DIEGO, CA. 92127
 PHONE: (858) 674-4676 FAX: (858) 674-4681

6mm X 6mm
 QFN 40 LEAD 0mPP

| | | |
|-------|-------------------|--------------|
| SIZE | PART NO. | REV |
| A | QP-QFN40-6MM-.5MM | A1 |
| SCALE | CAD FILE | SHEET 1 OF 1 |